

Wire Wound Ceramic Chip Inductor

繞線式陶瓷晶片大電流電感

HPWS Series for High Frequency

HPWS 系列適用於高頻

INTRODUCTION 產品介紹

The HPWS is the chip inductors of a wire wound type widely used in the communication applications, such as cellular phones, television tuners, radios, and other electronic devices. The features of wire wound are higher self-resonate frequency, better Q factor, and much stable performance.

HPWS 系列繞線式電感廣泛適用於通訊產品，諸如行動電話、TV Tuners、收音機及其他電子設備。繞線的特徵在具有較高的共振頻率，良好的品質系數及穩定的電氣特性。

FEATURE 特色

1. Operating temperature -40°C to $+85^{\circ}\text{C}$.

操作溫度從 -40°C 到 $+85^{\circ}\text{C}$ 。

2. Excellent solderability and resistance to soldering heat.

良好的焊錫性及耐熱性。

3. Suitable for flow and reflow soldering.

適用於 Flow 及 Reflow 之焊錫。

4. Standard dimensions, high reliability, and easy surface mount assembly.

標準的尺寸，高可靠度及易於表面黏著置。

5. Wide range of inductance value for flexible needs.

各種範圍的電感量可供選擇。

APPLICATION 適用產品

High-frequency applications are below:

高頻產品應用如下：

1. Mobile phones.

行動電話

2. Portable phones.

手提式電話

3. Cordless phones.

無線電話

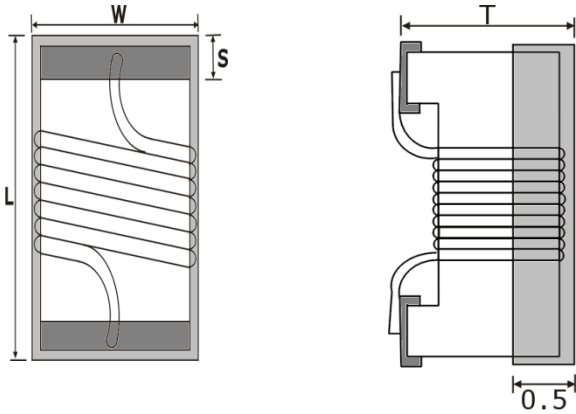
Wire Wound Ceramic Chip Inductor

繞線式陶瓷晶片大電流電感

HPWS Series for High Frequency

HPWS 系列適用於高頻

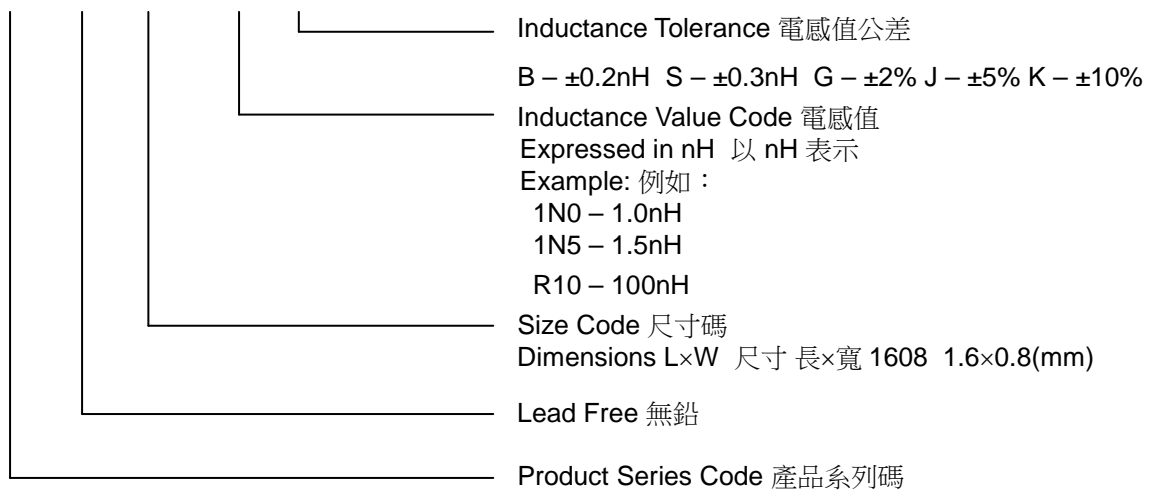
SIZE AND DIMENSION 尺寸和邊長



SIZE 尺寸	L 長 mm	W 寬 mm	T 厚 mm	S 銀寬 mm
1005 (0402)	1.00±0.1	0.55±0.1	0.50±0.1	0.20±0.1
1608 (0603)	1.60±0.2	1.05±0.2	1.05±0.2	0.35±0.1

PART NUMBER SYSTEM 編碼系統

HPW S 1608 1N5 J



Wire Wound Ceramic Chip Inductor

繞線式陶瓷晶片大電流電感

HPWS Series for High Frequency

HPWS 系列適用於高頻

Electrical Characteristics 電氣特性

Size (尺寸): 1005 (0402)

Part Number 產品料號	Inductance 感值 (nH)	Tolerance 公差	Q 品質 系數 Min.	Test Freq. 測試頻率 (MHz)		Self-resonant Frequency 共振頻率 (MHz) Min.	DC Resistance 直流電阻 (Ω) Max.	Rated Current 額定電流 (mA) Max.
				L	Q			
HPWS1005-1N0	1.0	B,S	8	100	100	6000	0.06	400
HPWS1005-1N2	1.2	B,S	8	100	100	6000	0.06	400
HPWS1005-1N5	1.5	B,S	8	100	100	6000	0.07	400
HPWS1005-1N8	1.8	B,S	8	100	100	6000	0.08	400
HPWS1005-2N2	2.2	B,S	8	100	100	6000	0.09	400
HPWS1005-2N7	2.7	B,S	8	100	100	5500	0.1	400
HPWS1005-3N3	3.3	B,S	8	100	100	5500	0.12	400
HPWS1005-3N9	3.9	B,S	8	100	100	5200	0.15	360
HPWS1005-4N7	4.7	B,S	8	100	100	4800	0.17	360
HPWS1005-5N6	5.6	B,S	8	100	100	4600	0.19	340
HPWS1005-6N8	6.8	B,J	8	100	100	4600	0.30	320
HPWS1005-8N2	8.2	B,J	8	100	100	3500	0.35	320
HPWS1005-10N	10.0	G,J	8	100	100	2800	0.41	320
HPWS1005-12N	12.0	G,J	8	100	100	2800	0.41	320
HPWS1005-15N	15.0	G,J	8	100	100	2500	0.60	240
HPWS1005-18N	18.0	G,J	8	100	100	2200	0.70	240
HPWS1005-22N	22.0	G,J	8	100	100	2000	0.80	200
HPWS1005-27N	27.0	G,J	8	100	100	1800	1.20	200
HPWS1005-33N	33.0	G,J	8	100	100	1800	1.40	170
HPWS1005-39N	39.0	G,J	8	100	100	1800	1.70	150
HPWS1005-47N	47.0	G,J	8	100	100	1800	2.10	140
HPWS1005-56N	56.0	G,J	8	100	100	1500	2.50	130
HPWS1005-68N	68.0	G,J	8	100	100	1500	4.00	120
HPWS1005-82N	82.0	G,J	8	100	100	1400	4.50	110
HPWS1005-R10	100.0	G,J	8	100	100	1200	5.50	90

Wire Wound Ceramic Chip Inductor

繞線式陶瓷晶片大電流電感

HPWS Series for High Frequency

HPWS 系列適用於高頻

Electrical Characteristics 電氣特性

Size (尺寸): 1608 (0603)

Part Number 產品料號	Inductance 感值 (nH)	Tolerance 公差	Q 品質 系數 Min.	Test Freq. 測試頻率 (MHz)		Self-resonant Frequency 共振頻率 (MHz) Min.	DC Resistance 直流電阻 (Ω) Max.	Rated Current 額定電流 (mA) Max.
				L	Q			
HPWS1608-1N0	1.0	S	7	100	100	6000	0.05	500
HPWS1608-1N2	1.2	S	7	100	100	6000	0.06	500
HPWS1608-1N5	1.5	S	8	100	100	6000	0.07	500
HPWS1608-1N8	1.8	S	8	100	100	6000	0.08	500
HPWS1608-2N2	2.2	S	8	100	100	6000	0.09	500
HPWS1608-2N7	2.7	S	8	100	100	6000	0.10	500
HPWS1608-3N3	3.3	S	9	100	100	5500	0.12	500
HPWS1608-3N9	3.9	J	9	100	100	5500	0.15	450
HPWS1608-4N7	4.7	J	9	100	100	4800	0.17	450
HPWS1608-5N6	5.6	J	9	100	100	4600	0.18	430
HPWS1608-6N8	6.8	J	9	100	100	3550	0.20	430
HPWS1608-8N2	8.2	J	9	100	100	3500	0.28	400
HPWS1608-10N	10.0	J	10	100	100	2800	0.32	400
HPWS1608-12N	12.0	J	10	100	100	2800	0.35	400
HPWS1608-15N	15.0	J	10	100	100	2500	0.41	350
HPWS1608-18N	18.0	J	10	100	100	2300	0.45	350
HPWS1608-22N	22.0	J	10	100	100	2000	0.50	300
HPWS1608-27N	27.0	J	10	100	100	2000	0.55	300
HPWS1608-33N	33.0	J	10	100	100	1800	0.60	300
HPWS1608-39N	39.0	J	11	100	100	1800	0.80	300
HPWS1608-47N	47.0	J	11	100	100	1800	0.95	250
HPWS1608-56N	56.0	J	12	100	100	1800	1.20	250
HPWS1608-68N	68.0	J	12	100	100	1500	1.30	250
HPWS1608-82N	82.0	J	12	100	100	1500	1.50	250
HPWS1608-R10	100.0	J	12	100	100	1300	1.80	200
HPWS1608-R12	120.0	J	5	25.2	25.2	1200	3.00	130

Wire Wound Ceramic Chip Inductor

繞線式陶瓷晶片電感

HPWS Series for High Frequency

HPWS 系列適用於高頻

Electrical Characteristics 電氣特性

Size (尺寸): 1608 (0603)

Part Number 產品料號	Inductance 感值 (nH)	Tolerance 公差	Q 品質 系數 Min.	Test Freq. 測試頻率 (MHz)		Self-resonant Frequency 共振頻率 (MHz) Min.	DC Resistance 直流電阻 (Ω) Max.	Rated Current 額定電流 (mA) Max.
				L	Q			
HPWS1608R15	150.0	J	4	25.2	25.2	1100	4.50	100
HPWS1608-R18	180.0	J	4	25.2	25.2	1000	6.50	80
HPWS1608-R22	220.0	J	4	25.2	25.2	900	7.50	70